

# Top Mount Refrigeration System



Publication No. 509.00  
October, 2005



**Air Defrost — 2,500 - 13,500 BTUH**  
**Electric Defrost — 2,400 - 9,000 BTUH**

- All-in-one refrigeration system
- Factory assembled
- Fully charged and tested
- Attached power cord on most indoor models
- Quick and easy installation
- Indoor and Outdoor units
- HACCP compliant controls

Heat Transfer Products Group introduces it's first packaged drop-in system for walk-in coolers and freezers. The APEX is delivered, fully assembled and ready to mount. This saves you time and money, because of the quick installation and minimal labor cost. Most APEX units come with a 30" power cord so you can just plug it in and chill.



### Saving Time and Money

- Our systems are shipped factory assembled and tested.
- Two-year warranty on all parts
- No piping or loose components to install which saves you higher labor costs
- Factory evacuated, charged and run tested
- Motors and fans common to other HTPG product
- Adjustable digital electrical controller preset for typical cooler or freezer applications



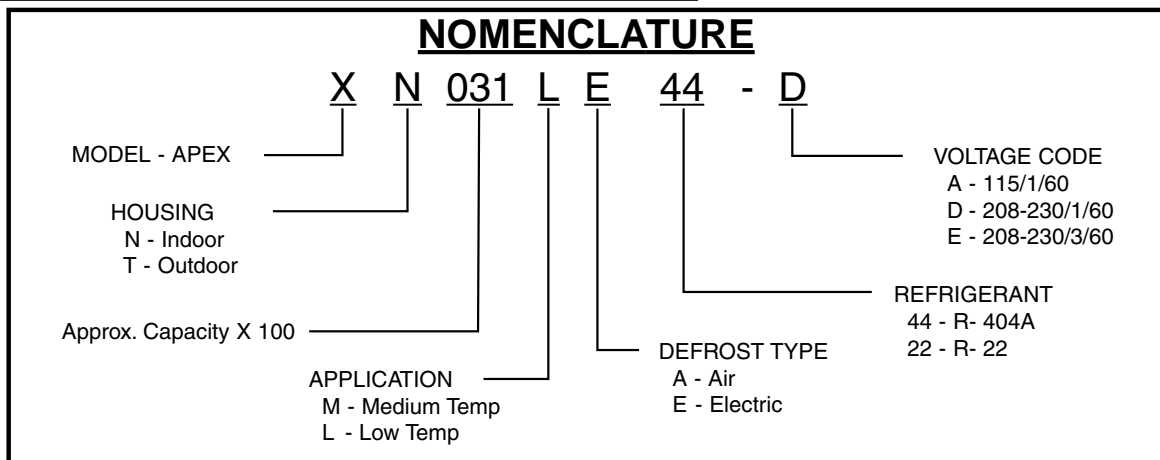
Replaceable heater and access panel

### Quick Installation

- Installs in a fraction of the time it takes for a typical split refrigeration system.
- The supply/return register mounts flush with a standard 4" ceiling panel which provides for more storage in your cooler or freezer.
- Condensate evaporated on Indoor models so no drain line is required.
- Drain line with heater on Outdoor models.



View from the inside of an installed walk-in cooler.



#### Standard Indoor Features:

- Insulated evaporator housing / Mill finish Aluminum
- Fully charged and run tested
- Evaporative Drain pan (no drain line needed)
- Electronic Controller
- Filter / Drier, sight-glass, and TXV
- "UL Sanitation" approved

#### Standard Outdoor Features:

- Most features identical to Indoor models\*
- All weather roof
- Drain line with heater
- Crankcase heater

\*Outdoor models not equipped with Evaporator Drain Pan

## Performance / Electrical Data

### Medium Temperature - Air Defrost

Model Number	80°F Ambient		90°F Ambient		95°F Ambient		100°F Ambient		110°F Ambient	
	35°F Room	38°F Room	35°F Room	38°F Room	35°F Room	38°F Room	35°F Room	38°F Room	35°F Room	38°F Room
XN026MA22	2940	3110	2740	2910	2650	2810	2550	2700	2340	2500
XN029MA22	3340	3520	3150	3320	3050	3220	2950	3120	2750	2920
XN037MA22	4320	4540	4090	4300	3970	4180	3840	4050	3590	3790
XN050MA22	5600	5920	5260	5560	5090	5390	4920	5210	4580	4860
X*068MA22	7470	7870	7030	7410	6820	7190	6600	6960	6170	6540
X*076MA22	8420	8880	7930	8370	7690	8120	7450	7870	6970	7380
X*106MA22	12000	12770	11040	11800	10560	11310	10060	10830	9040	9840
X*134MA22	15310	16150	14210	15030	13640	14440	13070	13850	11890	12650

Model Number	Volts†/PH 60HZ	MCA	MOPD	UNIT AMPS	EVAP CFM	Power Cord (Indoor Only)	NEMA Recept.	Cabinet Size	INDOOR NET / SHIP WT. (lbs.)	OUTDOOR NET / SHIP WT. (lbs.)
XN026MA22A	115/1	9.7	15	8.2	280	Yes	5 - 20R	Small	120 / 185	—
XN029MA22A	115/1	9.5	15	8.1	280	Yes	5 - 20R	Small	120 / 185	—
XN037MA22A	115/1	9.7	15	8.2	280	Yes	5 - 20R	Small	125 / 190	—
XN050MA22A	115/1	12.4	20	10.7	435	Yes	5 - 20R	Medium	210 / 305	—
X*050MA22D	230/1	9.8	15	8.3	435	Yes	6 - 15R	Medium	210 / 305	220 / 360
X*068MA22D	230/1	12.2	15	10.5	705	Yes	6 - 15R	Medium	220 / 315	230 / 370
X*076MA22D	230/1	11.5	15	9.9	705	Yes	6 - 15R	Medium	220 / 315	230 / 370
X*106MA22D	230/1	16.1	20	14.1	1135	Yes	6 - 20R	Large	295 / 420	310 / 485
X*106MA22E	230/3	13.5	20	12.0	1135	No	—	Large	295 / 420	310 / 485
X*134MA22D	230/1	21.3	30	18.2	1030	No	—	Large	310 / 435	325 / 500
X*134MA22E	230/3	15.4	20	13.5	1030	No	—	Large	310 / 435	325 / 500

### Low Temperature - Electric Defrost

Model Number	80°F Ambient			90°F Ambient			95°F Ambient			100°F Ambient			110°F Ambient		
	0°F Room	-10°F Room	-20°F Room	0°F Room	-10°F Room	-20°F Room	0°F Room	-10°F Room	-20°F Room	0°F Room	-10°F Room	-20°F Room	0°F Room	-10°F Room	-20°F Room
XN018LE44	2640	2120	-	2460	1940	-	2360	1850	-	2250	1760	-	2020	-	-
XN024LE44	3360	2570	1900	3110	2410	1700	3010	2290	1600	2930	2180	1500	2660	1950	1300
X*031LE44	5130	3960	2770	4540	3420	2290	4250	3160	2040	3960	2900	1790	3390	2380	1260
X*043LE44	6860	5430	4070	6130	4760	3460	5760	4430	3150	5390	4090	2840	4640	3410	2230
X*051LE44	8590	6670	4930	7710	5860	4190	7260	5460	3820	6800	5050	3430	5880	4210	2610
X*068LE44	10840	8620	6760	9690	7530	5690	9100	6970	5140	8510	6420	4590	7320	5320	3450

Model Number	Volts†/PH 60HZ	MCA	MOPD	UNIT AMPS	EVAP CFM	Power Cord (Indoor Only)	NEMA Recept.	Cabinet Size	INDOOR NET / SHIP WT. (lbs.)	OUTDOOR NET / SHIP WT. (lbs.)
XN018LE44A	115/1	13.9	20	11.6	280	Yes	5 - 20R	Small	140 / 200	—
XN024LE44A	115/1	15.0	20	12.8	435	Yes	5 - 20R	Medium	210 / 305	—
X*024LE44D	230/1	8.2	15	7.0	435	Yes	6 - 15R	Medium	210 / 305	225 / 365
X*031LE44D	230/1	14.4	15	12.2	705	Yes	6 - 15R	Medium	245 / 340	255 / 400
X*043LE44D	230/1	16.6	20	14.0	705	Yes	6 - 20R	Medium	245 / 340	255 / 400
X*051LE44D	230/1	19.0	20	16.4	1135	Yes	6 - 20R	Large	315 / 445	330 / 510
X*051LE44E	230/3	14.8	15	13.0	1135	No	—	Large	315 / 445	330 / 510
X*068LE44D	230/1	24.8	30	21.0	1135	No	—	Large	320 / 450	335 / 515
X*068LE44E	230/3	17.5	20	15.2	1135	No	—	Large	320 / 450	335 / 515

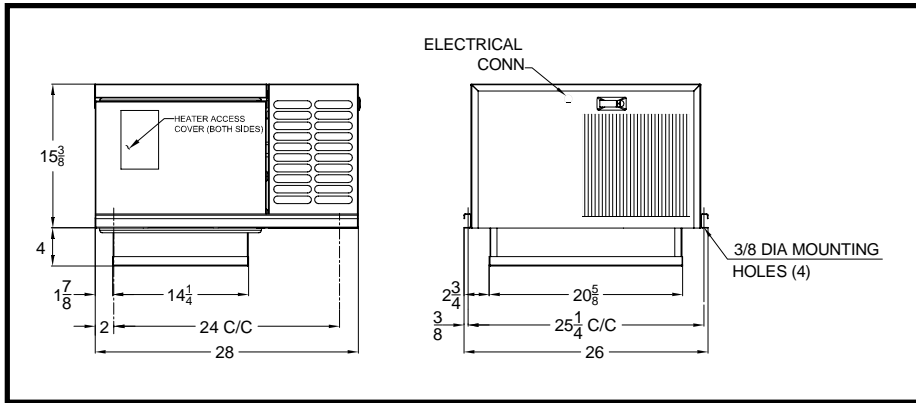
Min. Amb. : 50°F for indoor models.

† - All 230 volt units can be used as 208 volt.

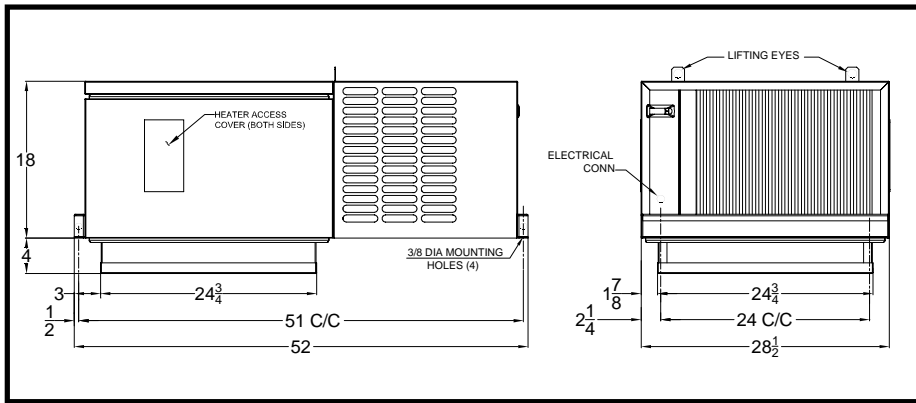
Max. Amb. : 110°F for all models.

## Dimensional Drawings

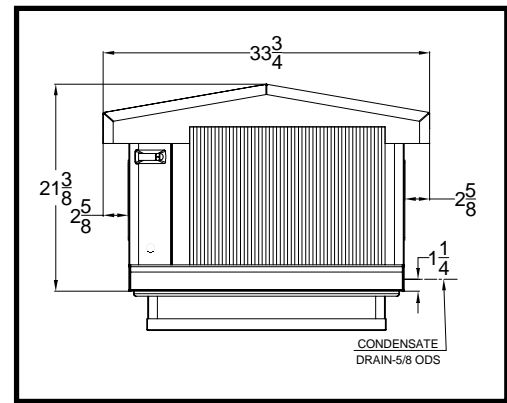
### Small Cabinet Size - Indoor



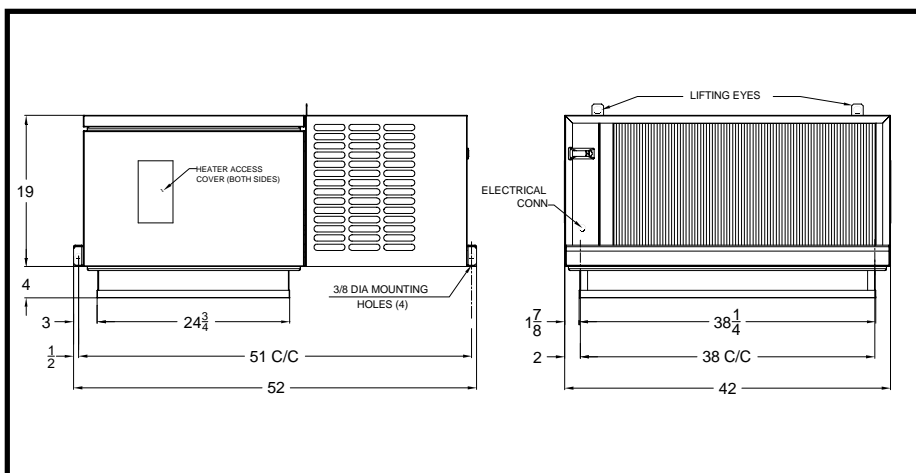
### Medium Cabinet Size - Indoor



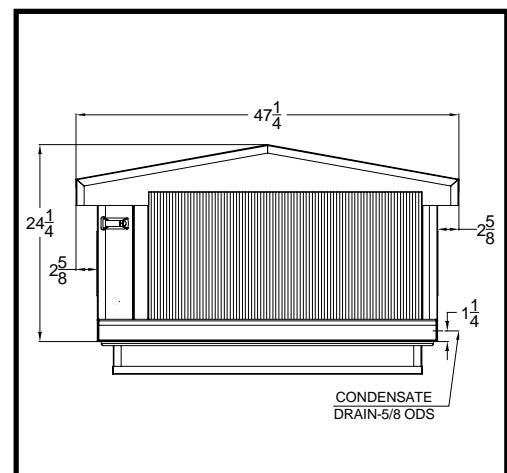
### Medium - Outdoor



### Large Cabinet Size - Indoor



### Large - Outdoor



**NOTE: Due to continuing product development, specifications are to subject change without notice.**